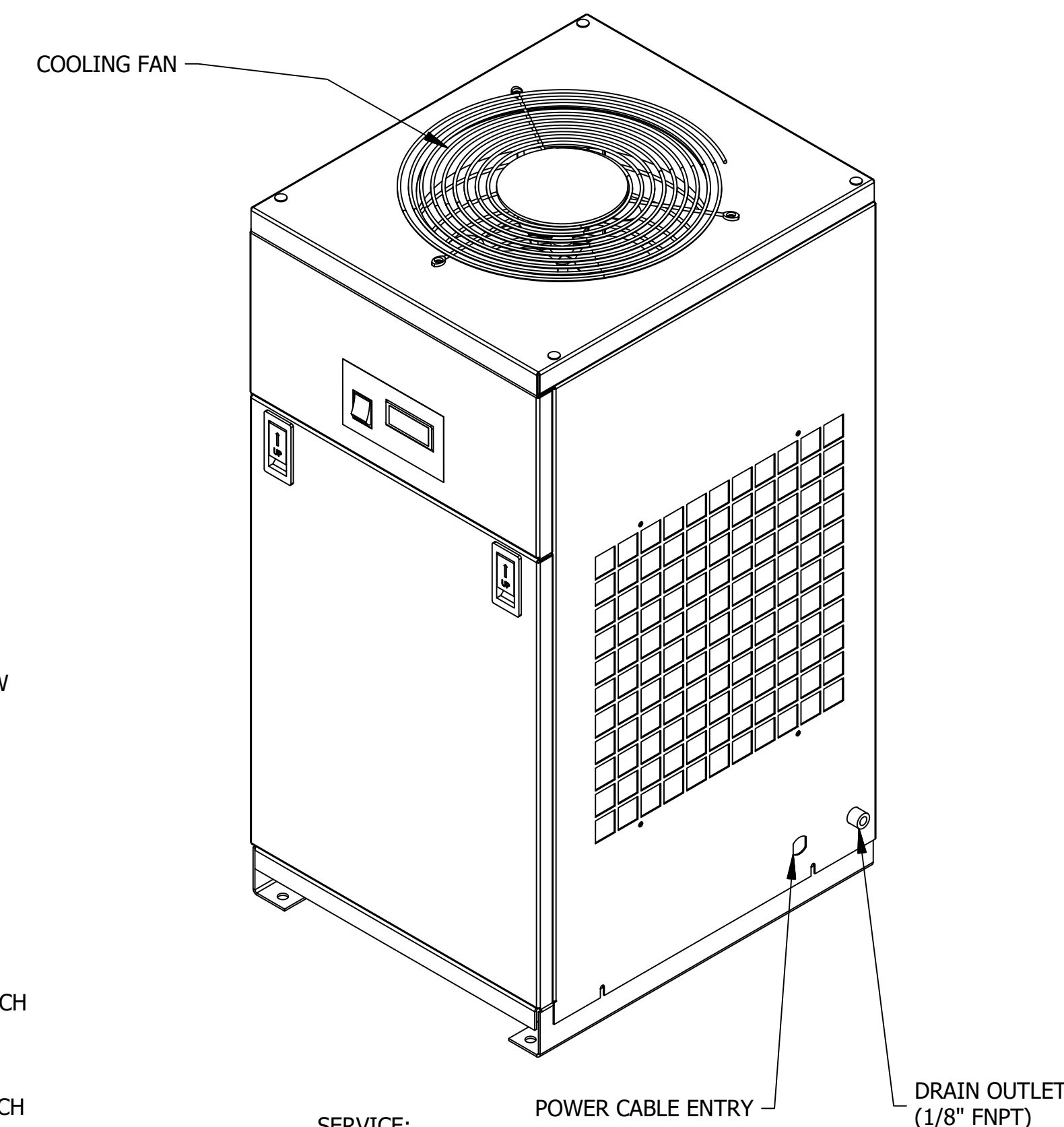


TOP VIEW



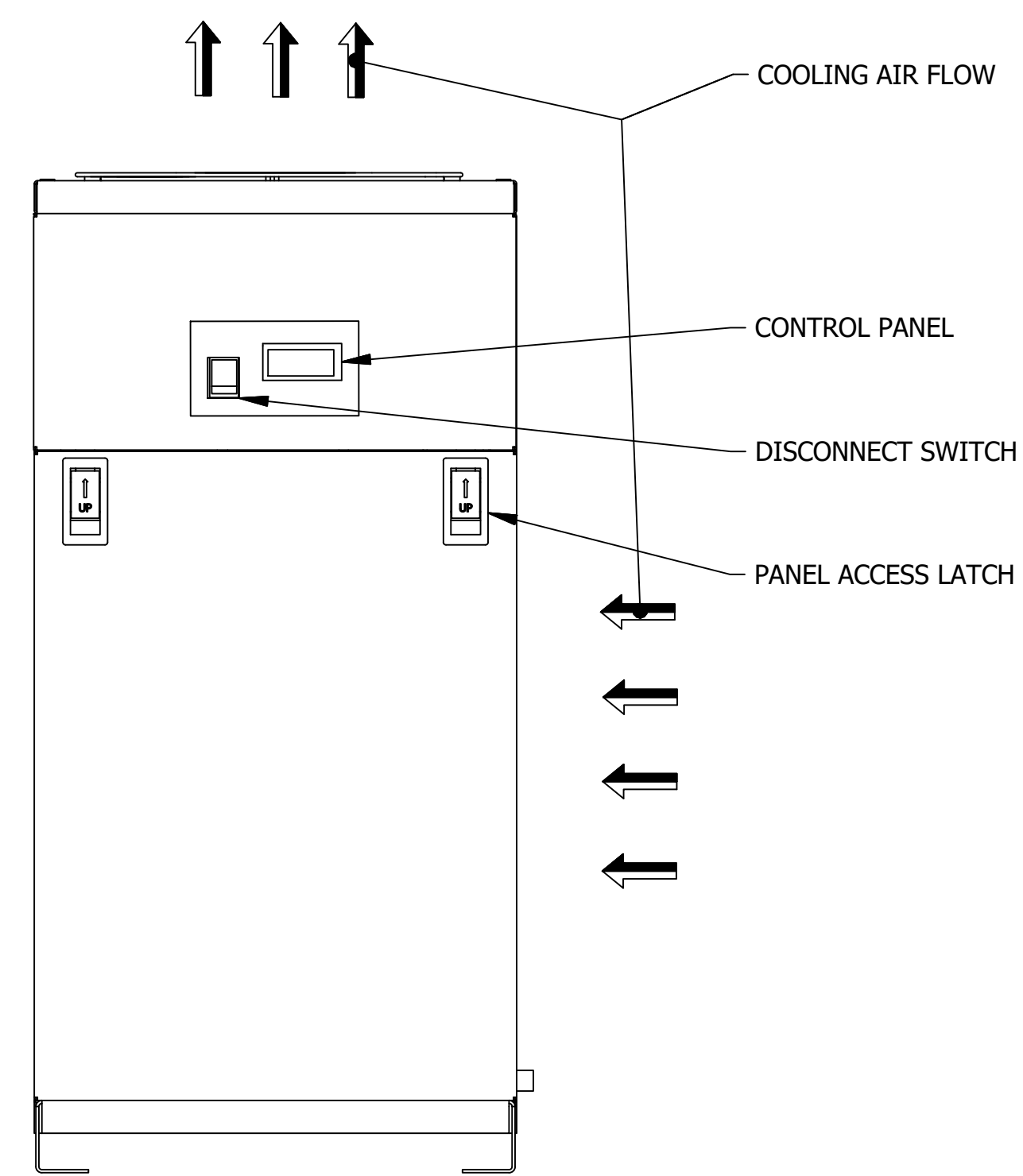
SERVICE:
COMPRESSED AIR

DRYER INFORMATION:
INLET AIR FLOW: 35 SCFM | 0.9 Nm³/min
CONNECTIONS: 3/4" MNPT
DRAIN CONNECTION: 1/8" FNPT
REFRIGERANT: R407C
ELECTRICAL: 115V/1PH/60Hz
WEIGHT: 99.2 LBS. / 45 KG

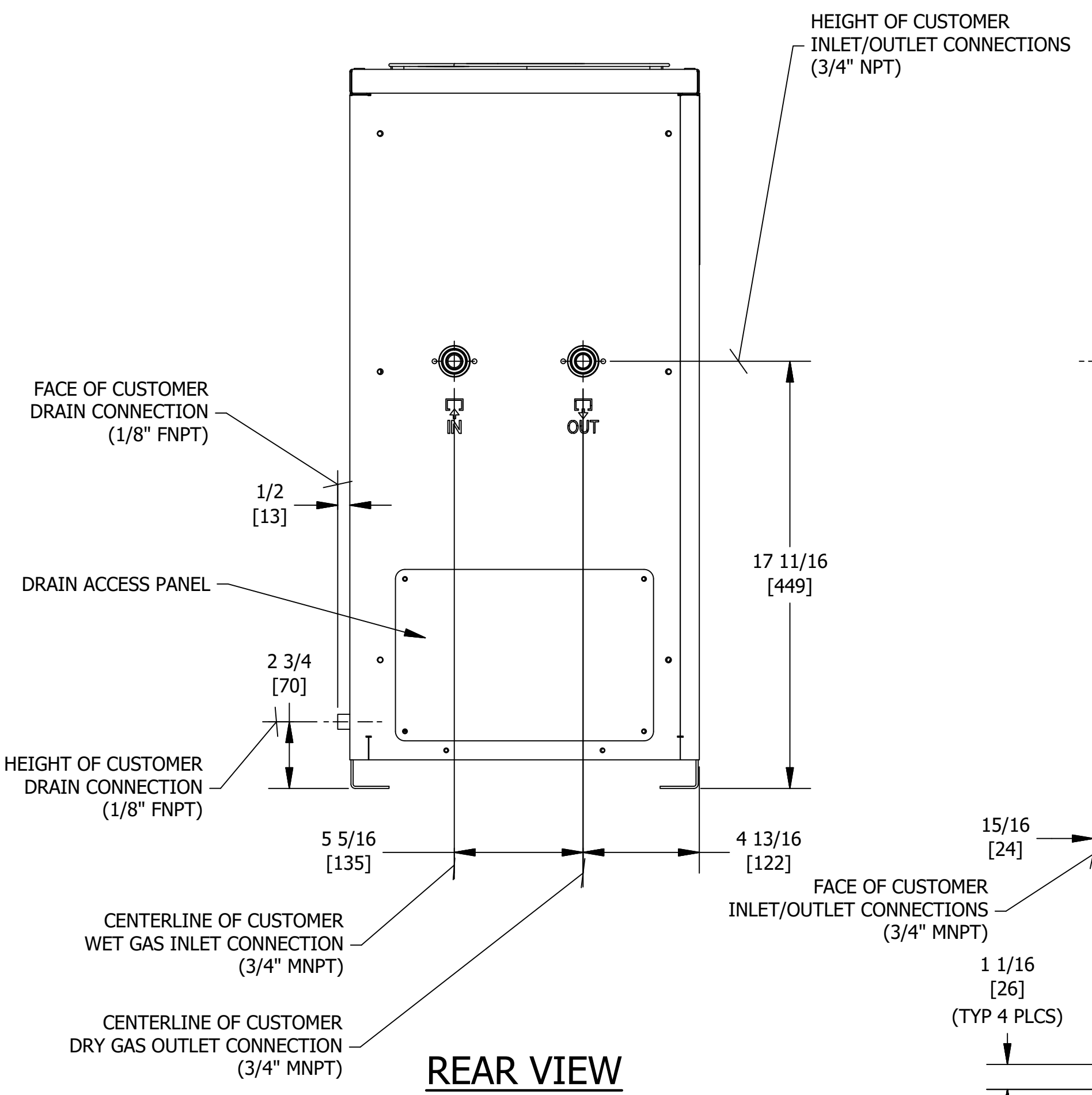
OPERATING CONDITIONS:
RATED INLET AIR PRESSURE: 125 PSIG / 8.6 BARG
MAXIMUM INLET AIR PRESSURE: 227 PSIG / 15.7 BARG
MINIMUM INLET AIR PRESSURE: 42 PSIG / 3 BARG
RATED INLET AIR TEMPERATURE: 180°F / 82°C
MAXIMUM INLET AIR TEMPERATURE: 180°F / 82°C
MINIMUM INLET AIR TEMPERATURE: 40°F / 4°C
RATED AMBIENT AIR TEMPERATURE: 95°F / 35°C
MAXIMUM AMBIENT AIR TEMPERATURE: 110°F / 43°C
MINIMUM AMBIENT AIR TEMPERATURE: 40°F / 4°C
RATED/MAXIMUM PRESSURE DEW POINT: 160°F / 71°C

SPECIFICATIONS:
CONDENSER TYPE: AIR COOLED
DRAIN TYPE: ELECTRONIC AUTO DRAIN VALVE
EXPANSION DEVICE: EXPANSION VALVE

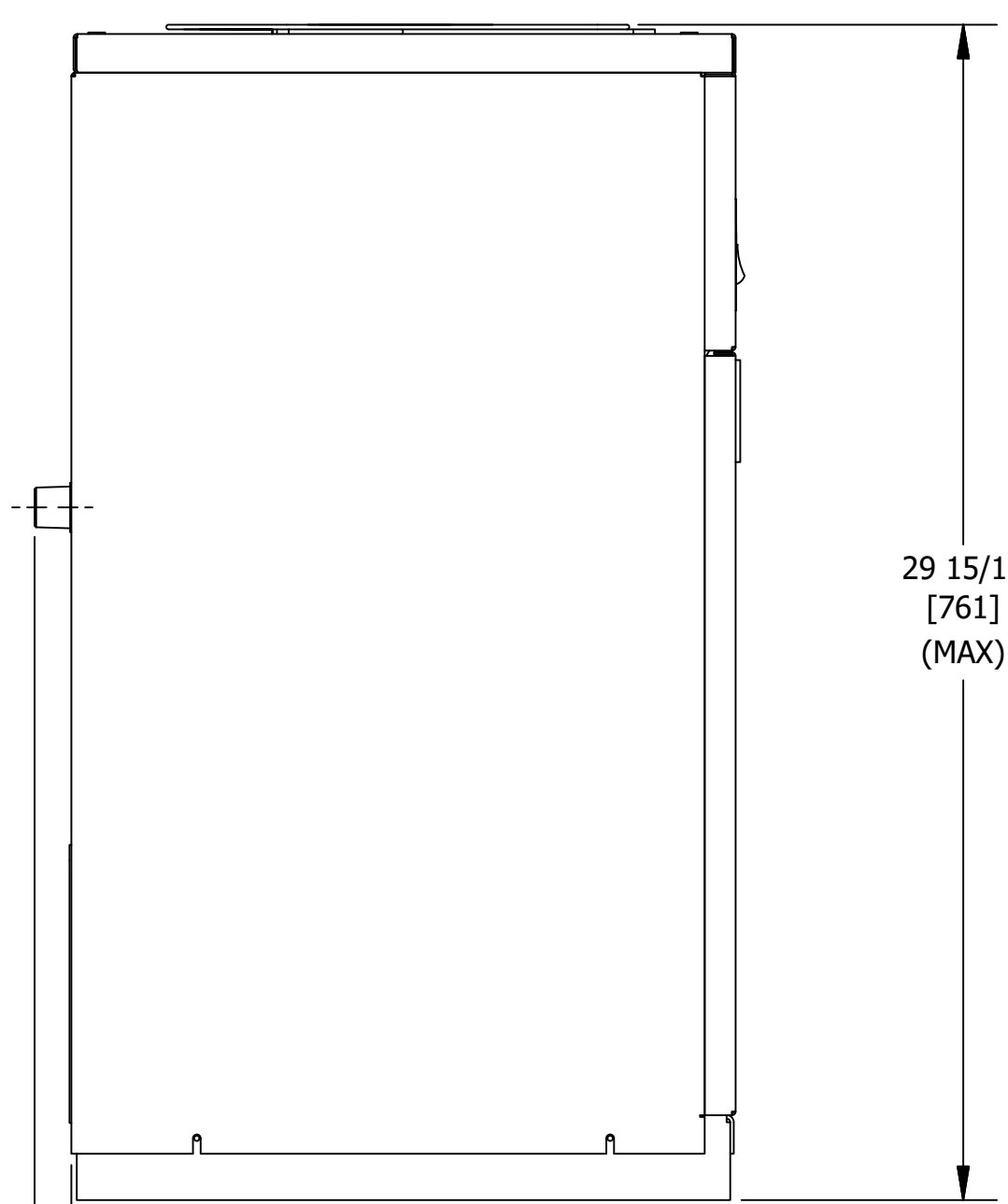
NOTES:
1. THIS DRAWING ALONG WITH THE MANUAL PROVIDES OPERATING CONDITIONS, SPECIFICATIONS, INSTALLATION, MOUNTING, AND CONNECTION REQUIREMENTS. READ THE MANUAL PRIOR TO INSTALLATION.
2. INSTALL IN A CLEAN, WELL VENTILATED AREA TO REDUCE DIRT AND DUST ON THE CONDENSER COILS.
3. FOR COOLING AIR FLOW AND MAINTENANCE PURPOSES, RECOMMENDED CLEARANCE AROUND UNIT IS 2 FEET [609.6 MM].
4. INSTALLATION CONTRAINTS. ON-SITE ASSEMBLY OF PIPING, TUBING AND/OR ELECTRICAL CONNECTIONS, ARE THE RESPONSIBILITY OF THE CUSTOMER/OWNER.



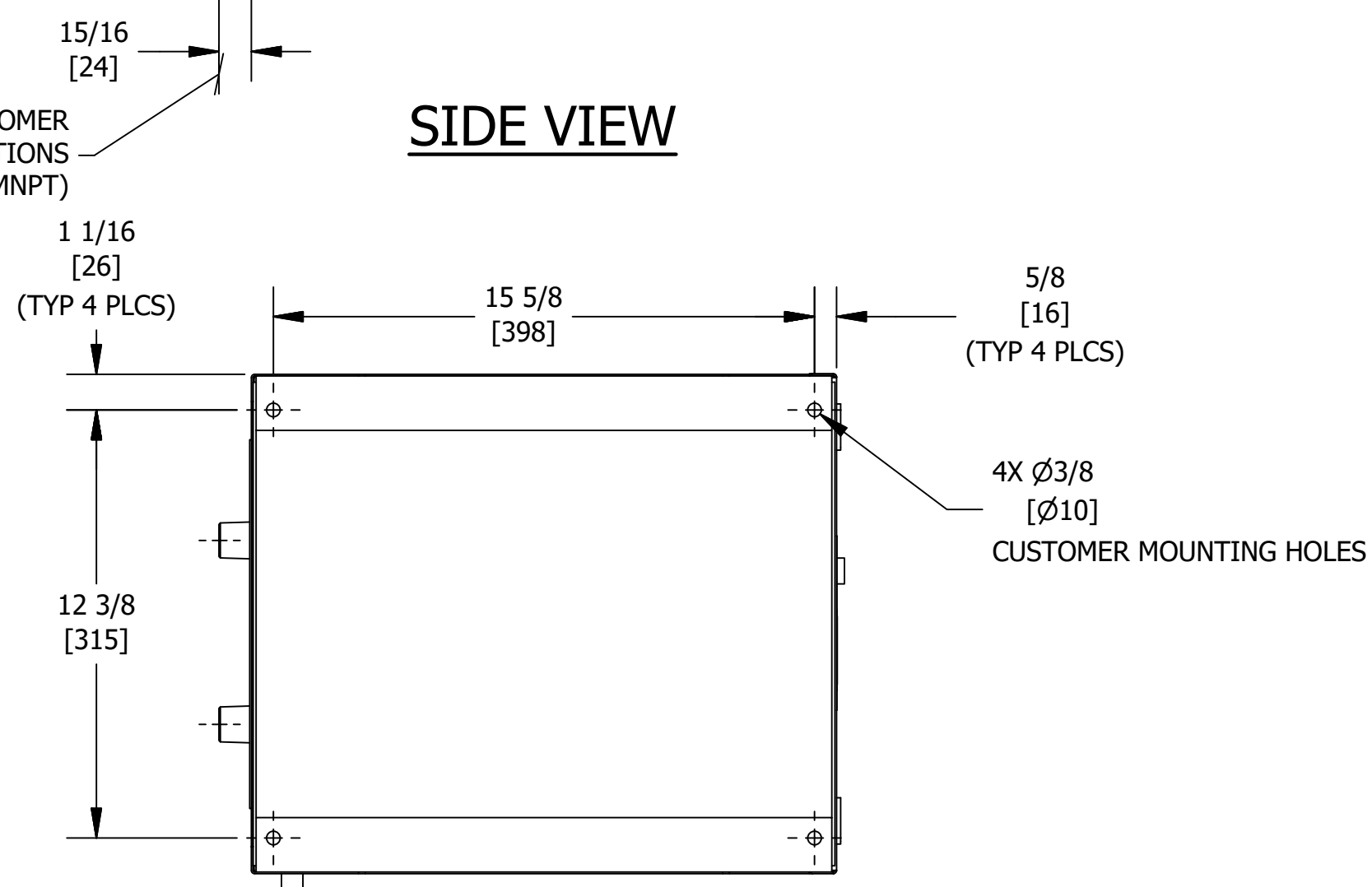
FRONT VIEW



REAR VIEW



SIDE VIEW



FOOT PRINT

| | | | | |
|--------------------------------|----------|----------------------|--------|---|
| UNLESS OTHERWISE SPECIFIED: | | NAME | DATE | UNAUTHORIZED USE, MANUFACTURE, OR REPRODUCTION IN WHOLE OR IN PART IS PROHIBITED. DRAWING DESIGN AND OTHER DISCLOSURES ARE PROPERTY OF: |
| DIMENSIONS ARE IN: INCHES (MM) | | DWN BY | CRH | |
| SURFACE FINISH: N/A | | ENG BY | BJM | 10/30/2019 |
| TOL. | MM | INCHES | CHK BY | AGT |
| .X | | | APP BY | BJM |
| .XX | | | REL BY | MDB |
| .XXX | | | | |
| FRACT: ±1/2 | ANG: ±2° | MATERIAL: | | SIZE: D |
| SCALE: 7/32 | | DWG NO: GA03DEL-0207 | | REV: 1/1 |

Deltech
* DO NOT SCALE. USE DIMENSIONS ONLY *
GENERAL ARRANGEMENT
HTDN 35